

PETALO 72

Design · Tulczinsky



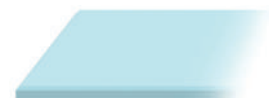
TOP | 1

Vetro
Glass



Trasparente
Transparent

Extrachiaro
Extra clear



sp./thick 15 mm.
bisello/bevel 45 °
filo lucido/polished edges

MARMOREFLEX*
Vetro Marmo
Marble glass



MATERIAL SHEET- D

LEGNOREFLEX*
Vetro Legno
Wood glass



MATERIAL SHEET- D



sp./thick 10+4 mm.
filo Wing/Wing edge

Bevel wood legno
Bevel wood



sp./thick 40 mm.



Noce Canaletto
Canaletto Walnut

Frassino scuro
Dark Ashwood.

Bevel vetro marmo
Bevel marble glass
MARMOREFLEX*



MATERIAL SHEET- D

Bevel vetro legno
Bevel wood glass
LEGNOREFLEX*



MATERIAL SHEET- D



sp./thick 40 mm.

Bordo in
Edge in:



100M Bronze
100M Bronze

BASE | 2

Vetro extrachiaro
curvato e verniciato
Extra-clear curved and
painted glass



100M Bronze
100M Bronze

sp./thick 10 mm.

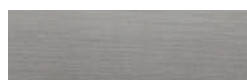
finitura/finish



104M Ottone satinato
104M Satin brass

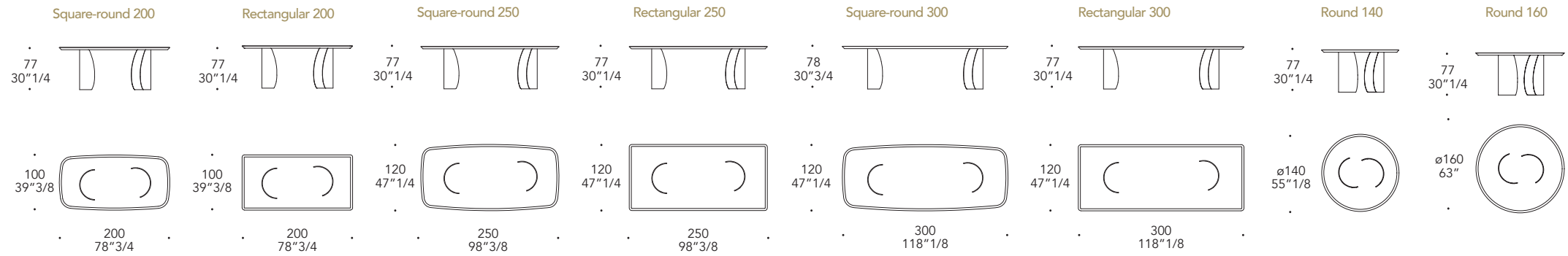


105M Ottone dark satinato
105M Satin dark brass

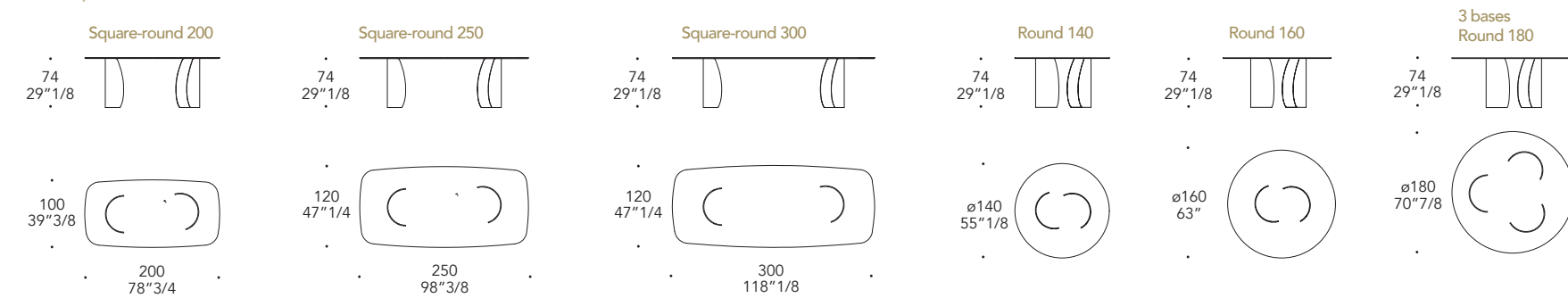


101M Titanium satinato
101M Satin titanium

BEVEL WOOD, BEVEL WOOD MARMOREFLEX e BEVEL WOOD LEGNOREFLEX
 BEVEL WOOD, BEVEL WOOD MARMOREFLEX and BEVEL WOOD LEGNOREFLEX

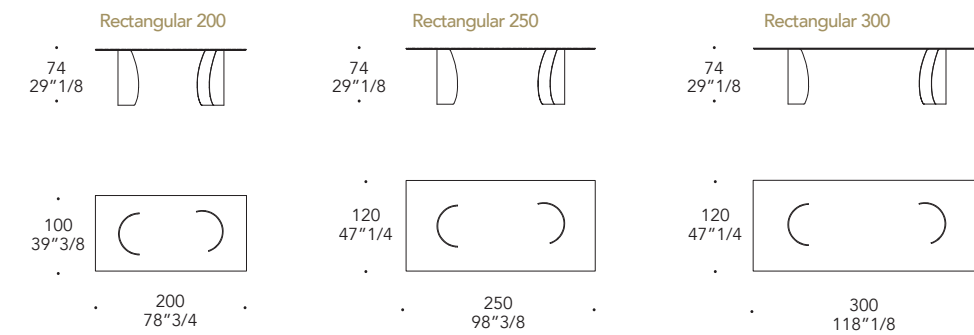


VETRO, MARMOREFLEX E LEGNOREFLEX
 GLASS, MARMOREFLEX AND LEGNOREFLEX

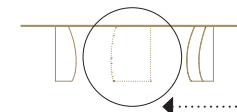


filo lucido/polished edge

bisello/bevel 45 °



filo lucido/polished edge



* base aggiuntiva opzionale
 optional additional base