

OH 72

Design · Tulczinsky



TOP | 1

Vetro Marmo
Marble glass
MARMOREFLEX®



MATERIAL SHEET- D

Vetro Legno
Wood glass
LEGNOREFLEX®



MATERIAL SHEET- D



sp./thick 10+4 mm.
filo Wing/Wing edge

Bevel wood legno
Bevel wood



sp./thick 40 mm.



Noce Canaletto
Canaletto walnut



Frassino scuro
Dark Ashwood.

BASE | 2

Metallo
Metal



100M Bronze
100M Bronze



104M Ottone satinato
104M Satin brass



105M Ottone dark
105M Dark brass



101M Titanium satinato
101M Satin titanium

finitura/finish

Bevel vetro marmo
Bevel marble glass
MARMOREFLEX®



MATERIAL SHEET- D

Bevel vetro legno
Bevel wood glass
LEGNOREFLEX®



MATERIAL SHEET- D



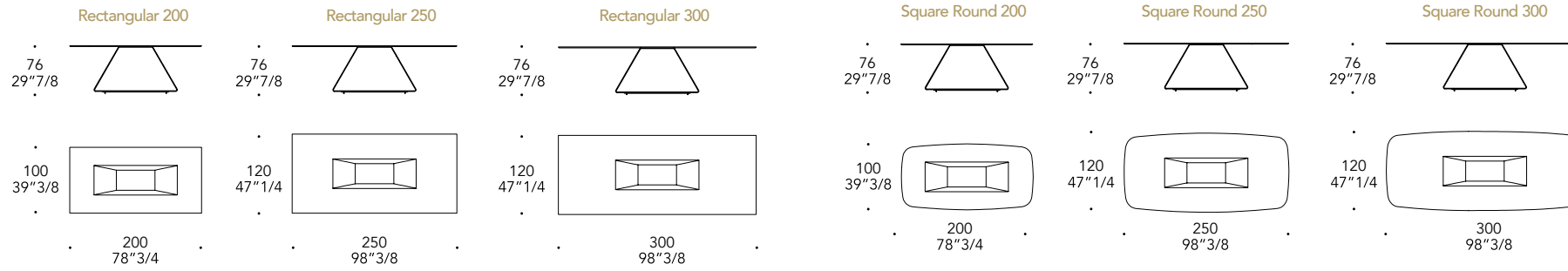
sp./thick 40 mm.

Bordo in
Edge in:



finitura/finish
100M Bronze
100M Bronze

MARMOREFLEX E LEGNOREFLEX
MARMOREFLEX AND LEGNOREFLEX



BEVEL WOOD, BEVEL WOOD MARMOREFLEX, BEVEL WOOD LEGNOREFLEX

