

SEGNO 72

Design · *pininfarina*

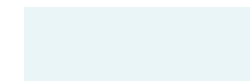


TOP | 1

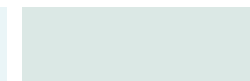
Vetro temperato
Tempered glass



sp./thick 15 mm.
filo lucido/polished edges



Extrachiaro
Extra clear



Trasparente
Transparent

MARMOREFLEX®

Vetro Marmo
Marble glass



MATERIAL SHEET- D

LEGNOREFLEX®

Vetro Legno
Wood glass



MATERIAL SHEET- D



sp./thick 10+4 mm.
filo Wing/Wing edge

Bevel wood legno
Bevel wood



sp./thick 40 mm.



Noce Canaletto
Canaletto Walnut



Frassino scuro
Dark Ashwood.

Bevel vetro marmo
Bevel marble glass

MARMOREFLEX®



MATERIAL SHEET- D

Bevel vetro legno
Bevel wood glass

LEGNOREFLEX®



MATERIAL SHEET- D



sp./thick 40 mm.

Bordo in tinta finitura gamba
Edge matching leg finish

BASE | 2

Materiale composito
rinforzato in metallo
Composite material
with metal support



100M Bronze
100M Bronze



104M Ottone satinato
104M Satin brass



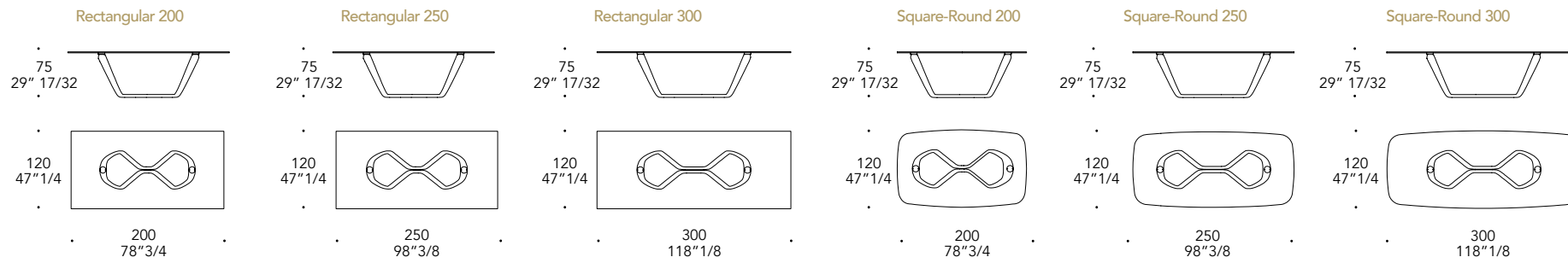
105M Ottone dark satinato
105M Satin dark brass



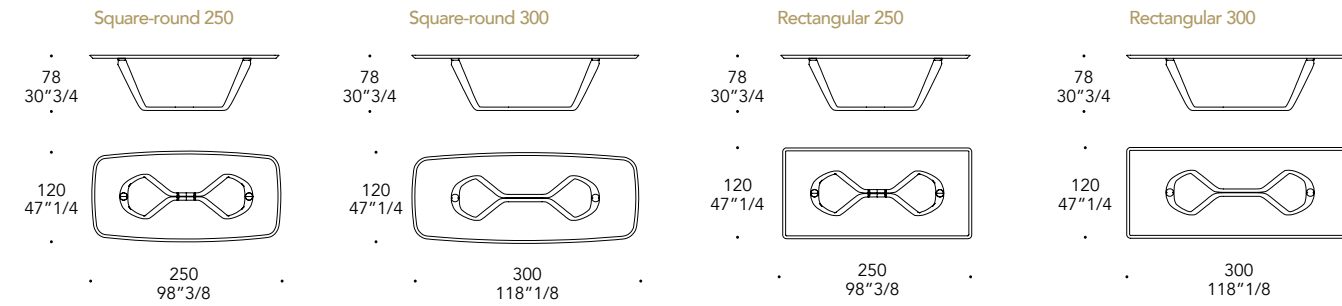
101M Titanium satinato
101M Satin titanium

finitura/finish

VETRO, MARMOREFLEX E LEGNOREFLEX GLASS, MARMOREFLEX AND LEGNOREFLEX



BEVEL WOOD



BEVEL WOOD MARMOREFLEX E BEVEL WOOD LEGNOREFLEX

