

ESSE 72

Design · Tulczinsky

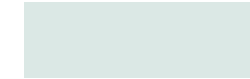


1

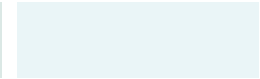


TOP | 1

Vetro
Glass



Trasparente
Transparent



Extrachiaro
Extra clear

sp./thick 15 mm.
bisello/bevel 45°.
filo lucido/polished edge

MARMOREFLEX*

Vetro Marmo
Marble glass



MATERIAL SHEET-D

LEGNOREFLEX*

Vetro Legno
Wood glass



MATERIAL SHEET-D



sp./thick 10+4 mm.
filo Wing/Wing edge

Bevel wood legno
Bevel wood



sp./thick 40 mm.



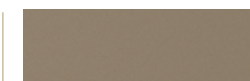
Noce Canaletto
Canaletto walnut



Frassino scuro
Dark Ashwood.

BASE | 2

Vetro extrachiaro curvato
e verniciato
Curved and lacquered
Extra clear glass



100M Bronze
100M Bronze



104M Ottone satinato
104M Satin brass

sp./thick 15 mm.

finitura/finish



105M Ottone dark satinato
105M Satin dark brass



101M Titanium satinato
101M Satin Titanium



3

CON DOPPIO LAZY SUSAN
WITH DOUBLE LAZY SUSAN

LAZY SUSAN | 3

Vetro
Glass



Mesh
Mesh

MARMOREFLEX*

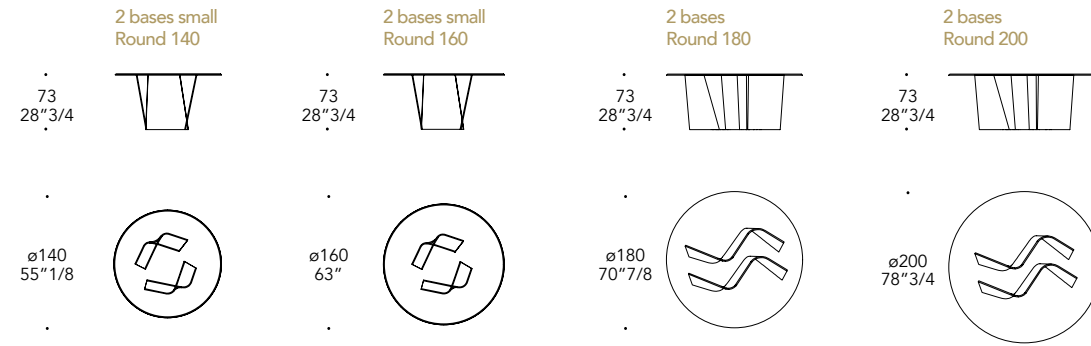
Vetro Marmo
Marble glass



MATERIAL SHEET-D

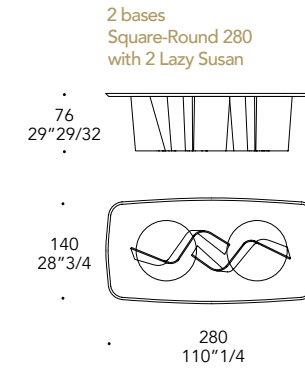
ø70 cm.
ø 27" 9/16 in

VETRO, MARMOREFLEX E LEGNOREFLEX
GLASS, MARMOREFLEX AND LEGNOREFLEX

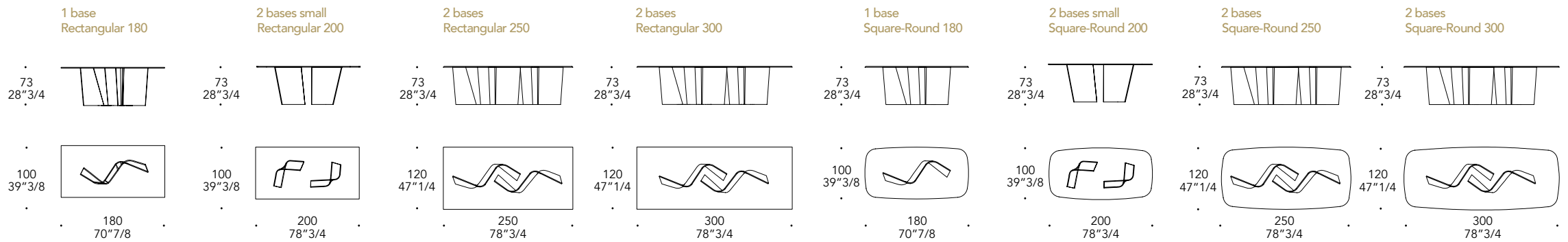


bisello/bevel 45°

BEVEL WOOD BEVEL WOOD



VETRO, MARMOREFLEX E LEGNOREFLEX
GLASS, MARMOREFLEX AND LEGNOREFLEX



filo lucido/polished edge

BEVEL WOOD BEVEL WOOD

