

ORIGAMI OFFICE

Design · Tulczinsky



SCHIENALE E SEDUTA BACK AND SEAT | 1

Rivestimento in:
Upholstery in:

Tessuto
Fabric



MATERIAL SHEET- A

Super
Extra
Luxury
C.O.M.

Pelle
Leather



MATERIAL SHEET- B

Cat. C
Colorata
Naturale
Nabuk

BASE | 2

Metallo
Metal

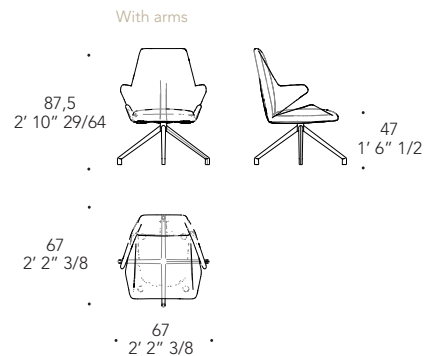
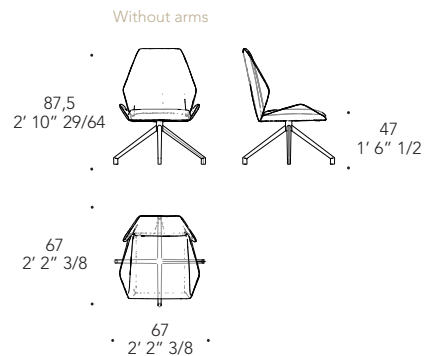
— finitura/finish —



100M Bronze
100M Bronze

Nero
Black

Without wheels



With wheels

