

# STRATUM SOFA

Design · *pininfarina*

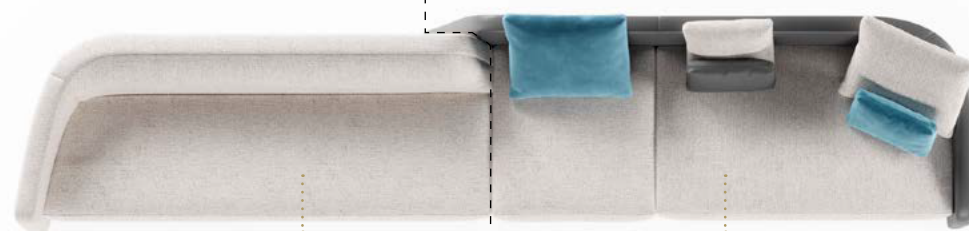


1

3

LAYER 1

LAYER 2



1

3

## LAYER 1

- Non necessita di cuscini funzionali, i cuscini sono solo decorativi
- Doesn't need functional cushions, the pillows are just for decorative

## LAYER 2

- Piping in tinta oppure a contrasto in tessuto Amsterdam o in pelle Cat. C
- Cuscini di schienale 65x65 compresi
- Matching piping or in contrast colour in Amsterdam fabric or in Cat. C leather
- Back cushions 65x65 included

## SCHIENALE E SEDUTA BACK AND SEAT

1

LAYER 1

Rivestimento in  
Upholstery in:

Tessuto  
Fabric



MATERIAL SHEET- A

Super  
Extra  
Luxury

Pelle  
Leather



MATERIAL SHEET- B

Cat C  
Nabuk  
Colorata

## SCHIENALE BACK

2

LAYER 2

Rivestimento in  
Upholstery in:

Tessuto  
Fabric



MATERIAL SHEET- A

Super  
Extra  
Luxury

Pelle  
Leather



MATERIAL SHEET- B

Cat C  
Nabuk  
Colorata

## SEDUTA SEAT

3

LAYER 2

Rivestimento in  
Upholstery in:

Tessuto  
Fabric



MATERIAL SHEET- A

Super  
Extra  
Luxury

Pelle  
Leather



MATERIAL SHEET- B

Cat C  
Nabuk  
Colorata



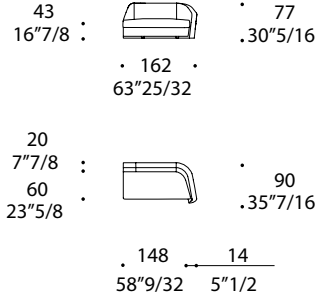
54  
21"1/4



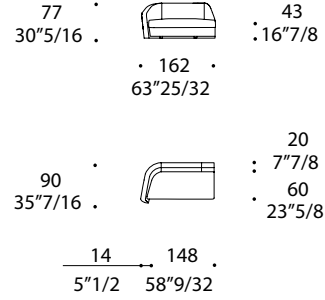
LAYER 1

MODULO A

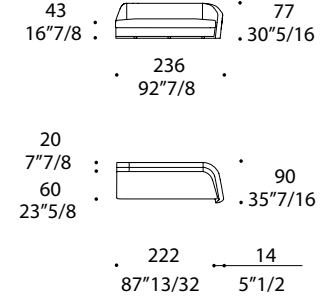
A2 – 2 seater DX



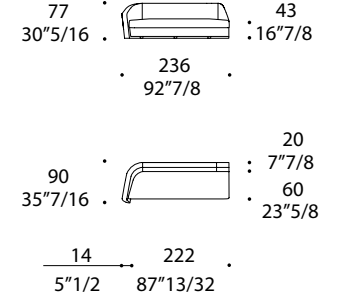
A2 – 2 seater SX



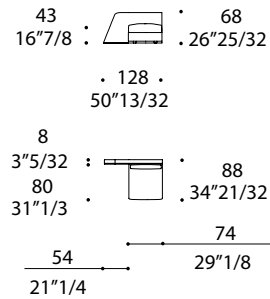
A3 – 3 seater DX



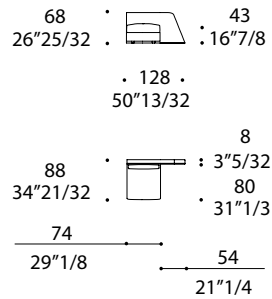
A3 – 3 seater SX



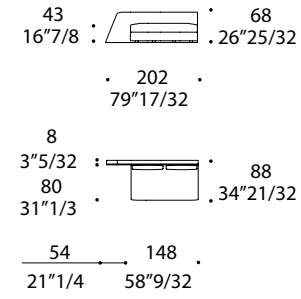
B1 – 1 seat DX



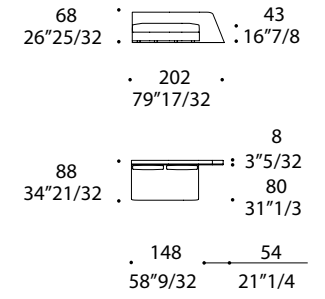
B1 – 1 seat SX



B2 – 2 seater DX



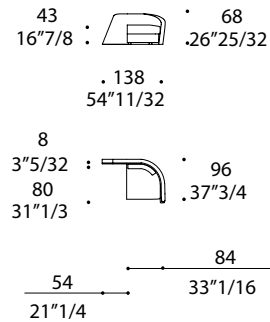
B2 – 2 seater SX



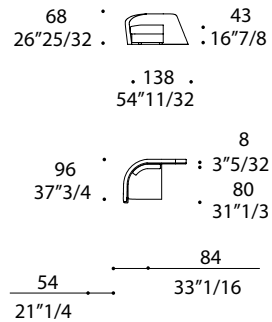
LAYER 2 CON ALA / WITH WING

MODULO B

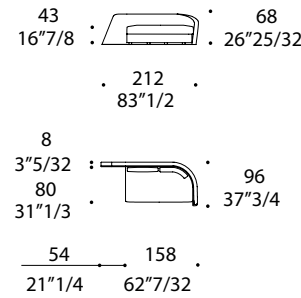
C1 – 1 seat DX



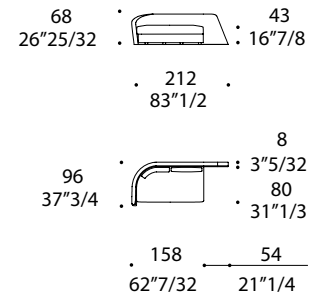
C1 – 1 seat SX



C2 – 2 seater DX



C2 – 2 seater SX

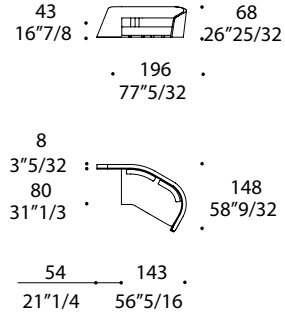


MODULO C

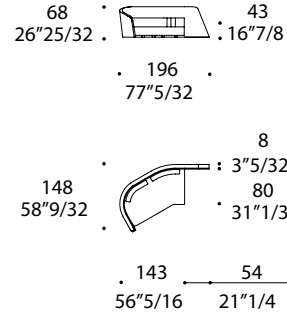
LAYER 2 CON ALA / WITH WING

MODULO D

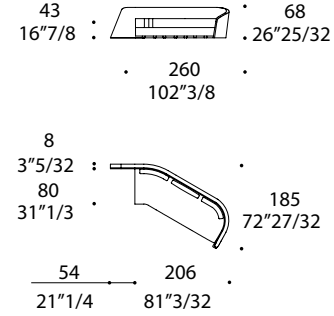
D1 – CORNER 60°  
1 seat + corner DX



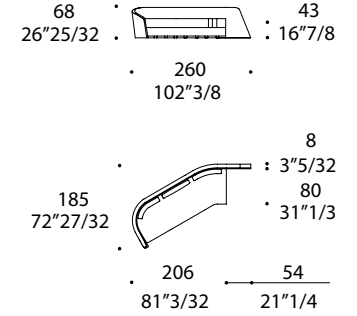
D1 – CORNER 60°  
1 seat + corner SX



D2 – CORNER 60°  
2 seater + corner DX

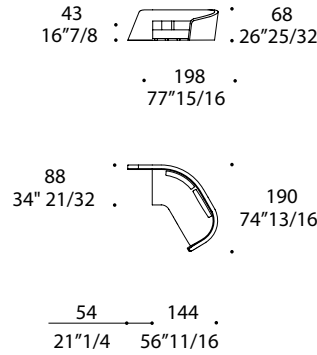


D2 – CORNER 60°  
2 seater + corner SX

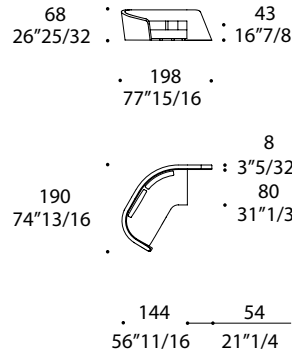


MODULO E

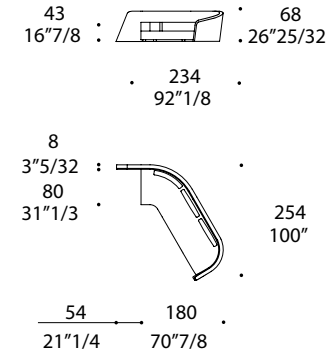
E1 – CORNER 30°  
1 seat + corner DX



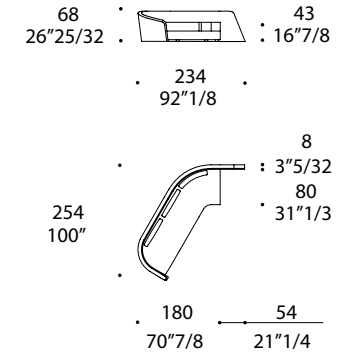
E1 – CORNER 30°  
1 seat + corner SX



E2 – CORNER 30°  
2 seater + corner DX

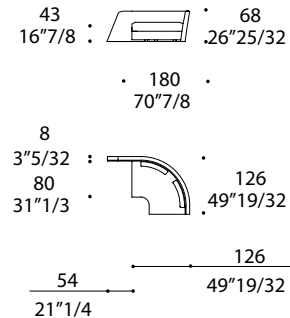


E2 – CORNER 30°  
2 seater + corner SX

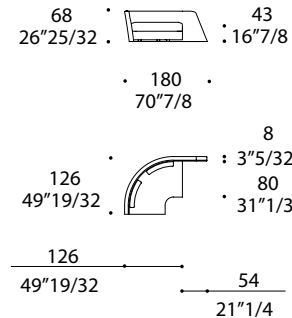


MODULO F&G

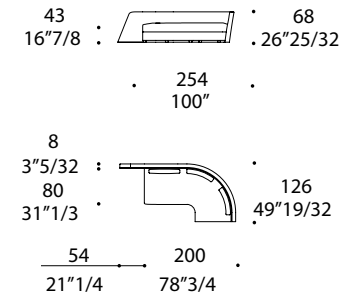
F1 – CORNER 90°  
2 seater DX



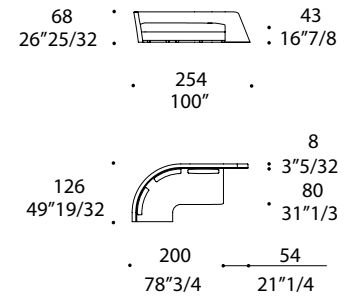
F1 – CORNER 90°  
2 seater SX



G2 – CORNER 90°  
3 seater DX



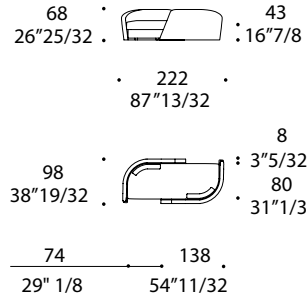
G2 – CORNER 90°  
3 seater SX



LAYER 2 CON ALA / WITH WING

MODULO H

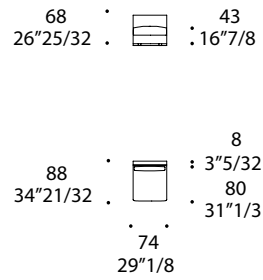
H2 - DOUBLE FACES  
2 seater DX



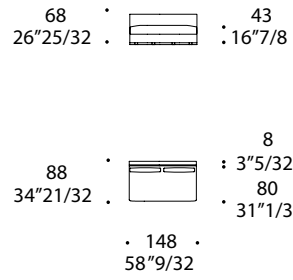
LAYER 2

MODULO I

I1 - 1 seat

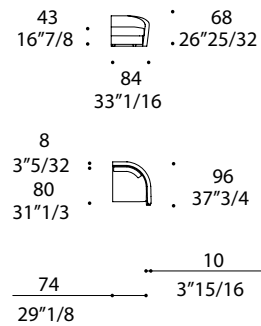


I1 - 2 seater

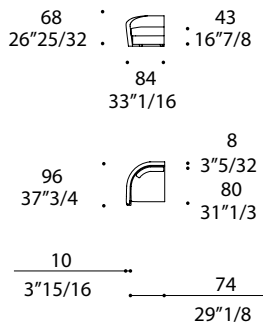


MODULO L

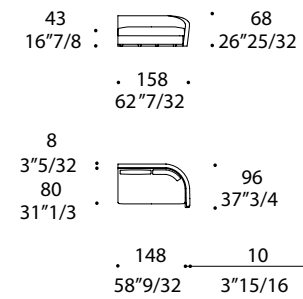
L1 - 1 seat DX



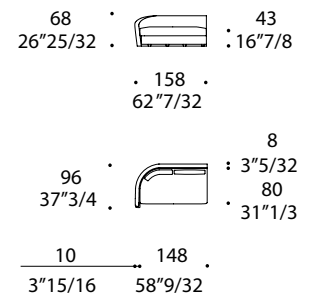
L1 - 1 seat SX



L2 - 2 seater DX



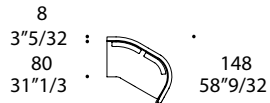
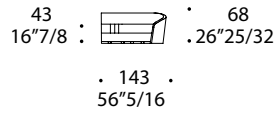
L2 - 2 seater SX



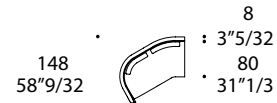
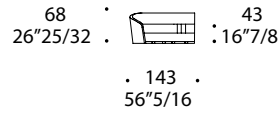
LAYER 2

MODULO M

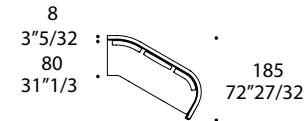
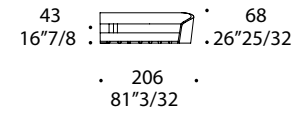
M1 – CORNER 60°  
1 seat + corner SX



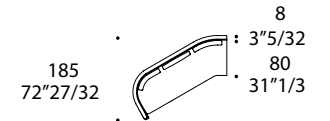
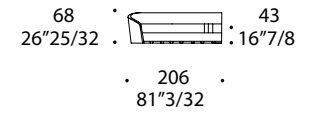
M1 – CORNER 60°  
1 seat + corner SX



M2 – CORNER 60°  
2 seater + corner DX

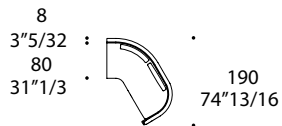
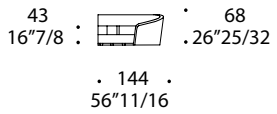


M2 – CORNER 60°  
2 seater + corner SX

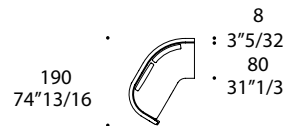
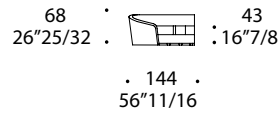


MODULO N

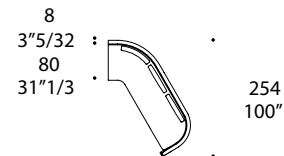
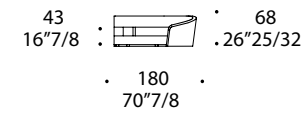
N1 – CORNER 30°  
1 seat + corner DX



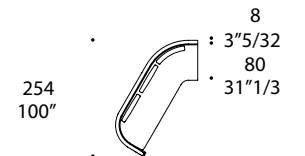
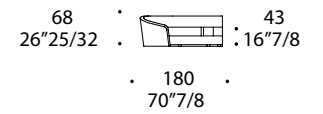
N1 – CORNER 30°  
1 seat + corner SX



N2 – CORNER 30°  
2 seat + corner DX

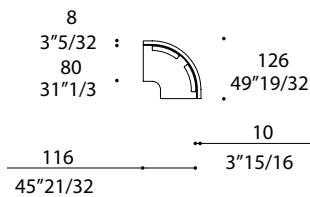
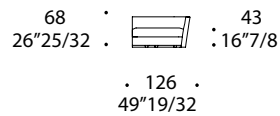


N2 – CORNER 30°  
2 seat + corner SX

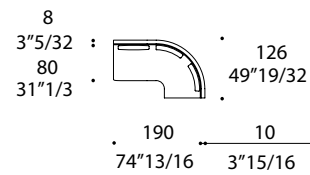
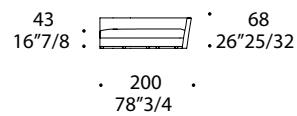


MODULO O&P

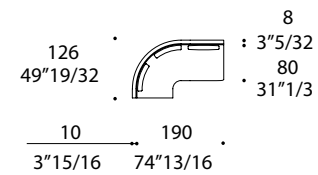
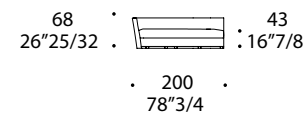
O1 – CORNER 90°  
2 seater



P2 – CORNER 90°  
3 seater DX



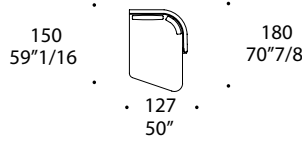
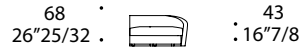
P2 – CORNER 90°  
3 seater SX



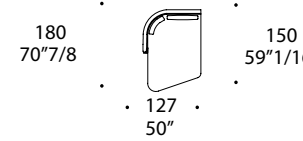
LAYER 2

MODULO R&Q

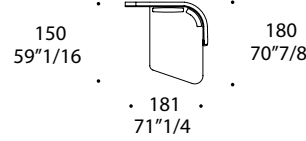
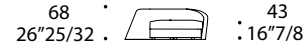
R - Peninsula DX



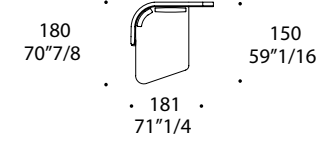
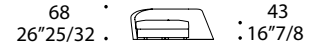
R - Peninsula SX



Q - Peninsula DX

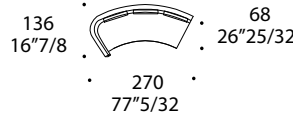
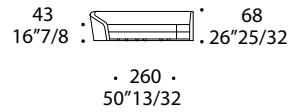


Q - Peninsula SX

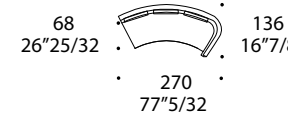
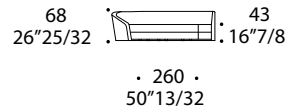


MODULO S&T

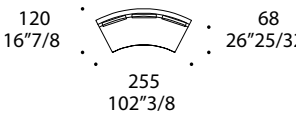
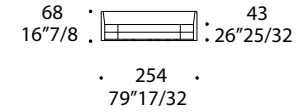
S1-3 seat SX



S1-3 seat DX

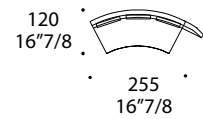
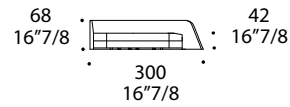


T1-3 seat

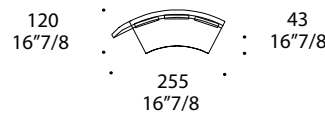
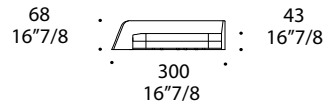


MODULO U

U1-3 seat SX



U1-3 seat DX



DX - 2 seat

68  
26"25/32



43  
16"7/8

SX - 2 seat

43  
16"7/8



68  
26"25/32

MODULO V

180  
70"7/8



175  
5' 8" 57/64

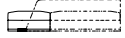


180  
70"7/8

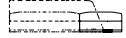
175  
5' 8" 57/64

DX

43  
16"15/16



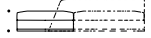
SX



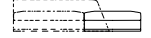
43  
16"15/16

DX

43  
16"15/16



SX



43  
16"15/16

80  
31"1/2



90  
35"7/16



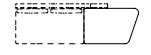
80  
31"1/2

90  
35"7/16

80  
31"1/2



120  
47"1/4



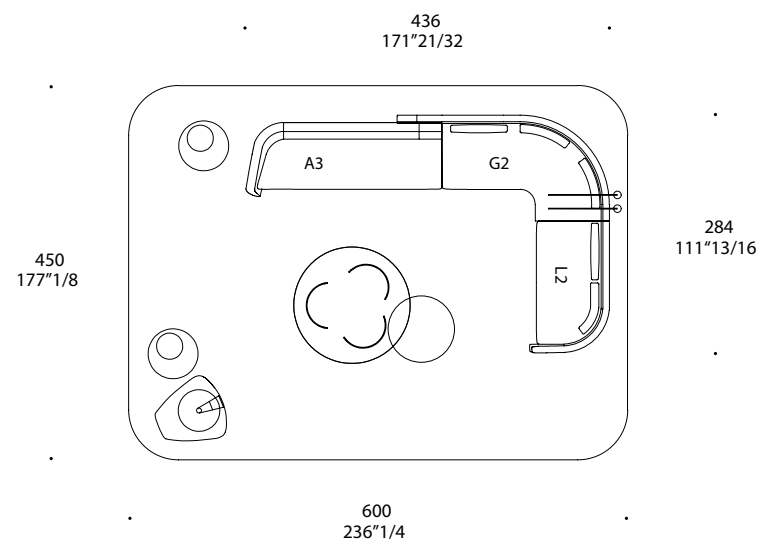
120  
47"1/4

LAYER 2

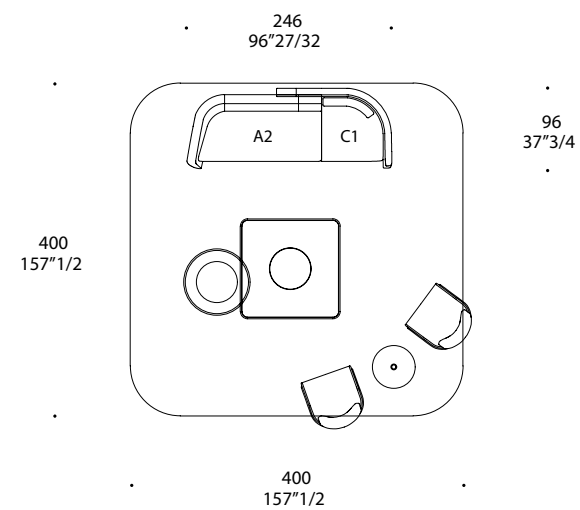
MODULO POUF

COMPOSIZIONI COMPOSITIONS

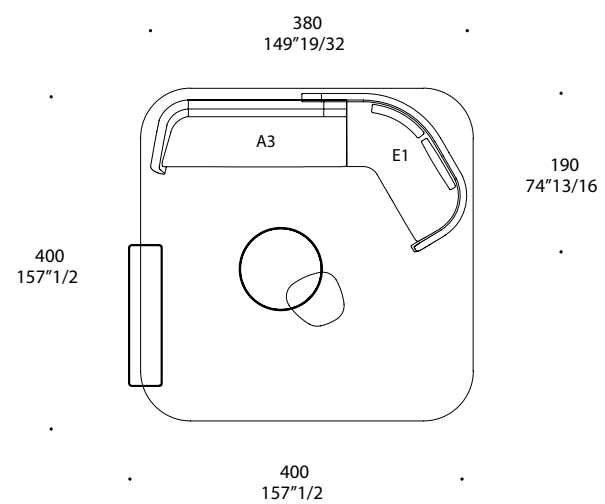
Composition 1



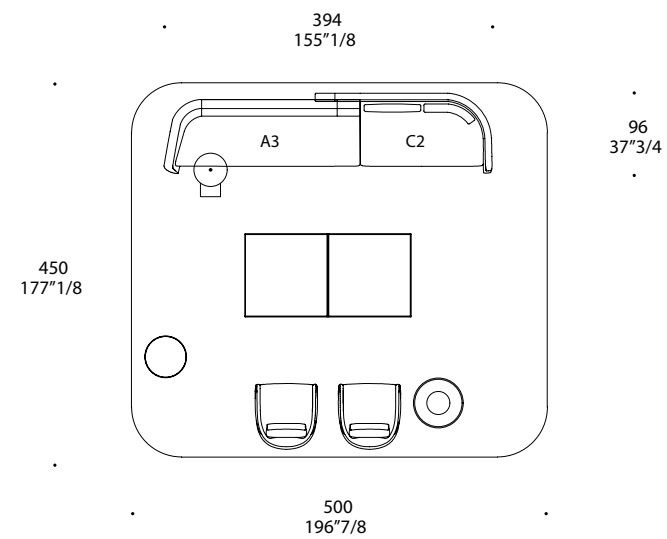
Composition 2



Composition 3

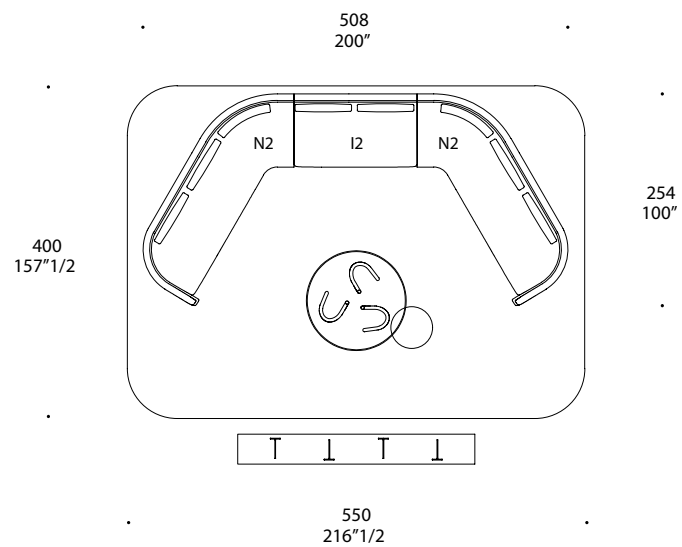


Composition 4

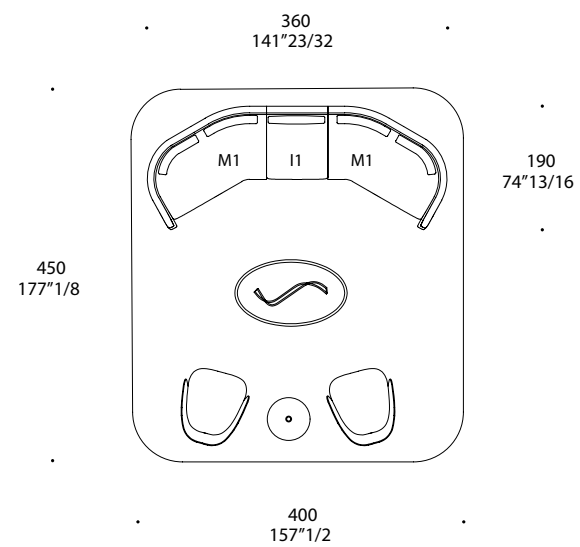


COMPOSIZIONI COMPOSITIONS

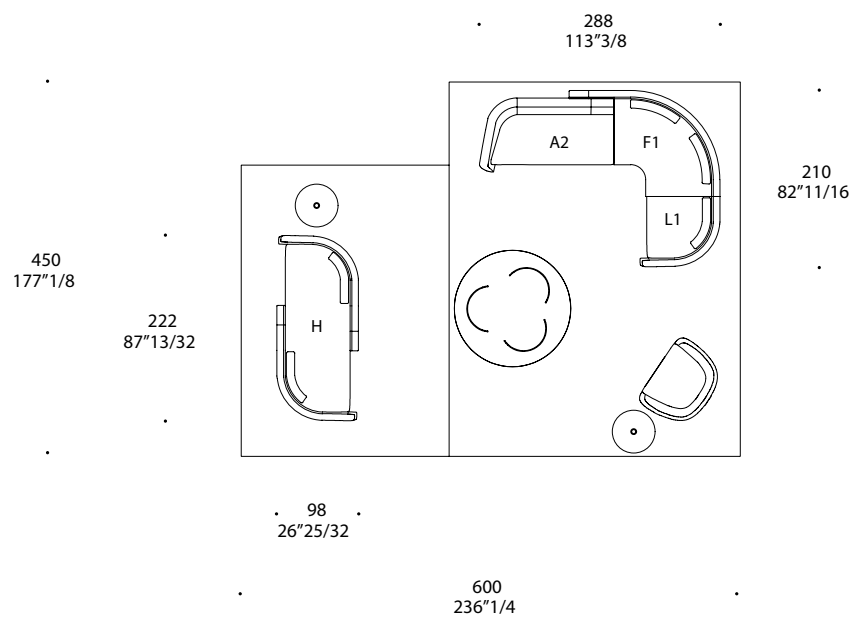
Composition 5



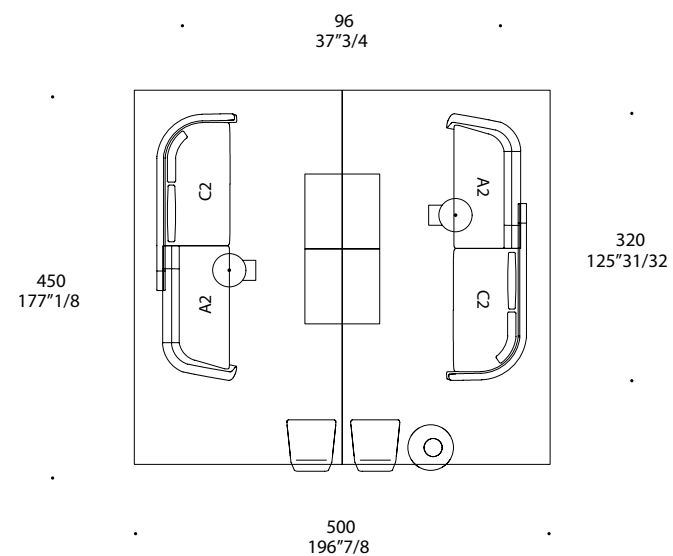
Composition 6



Composition 7

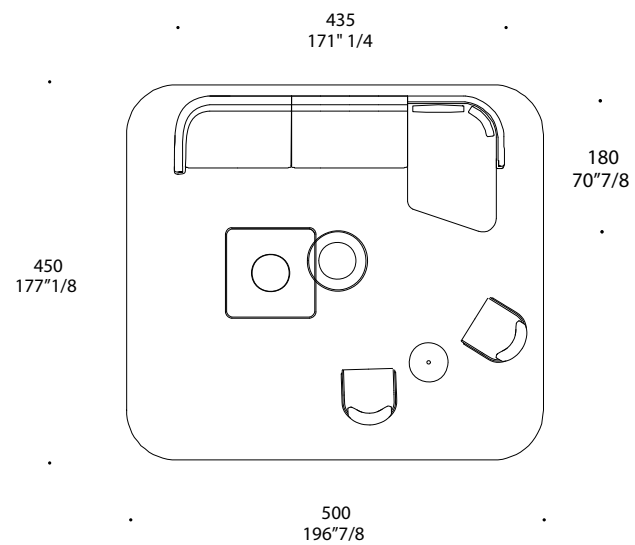


Composition 8

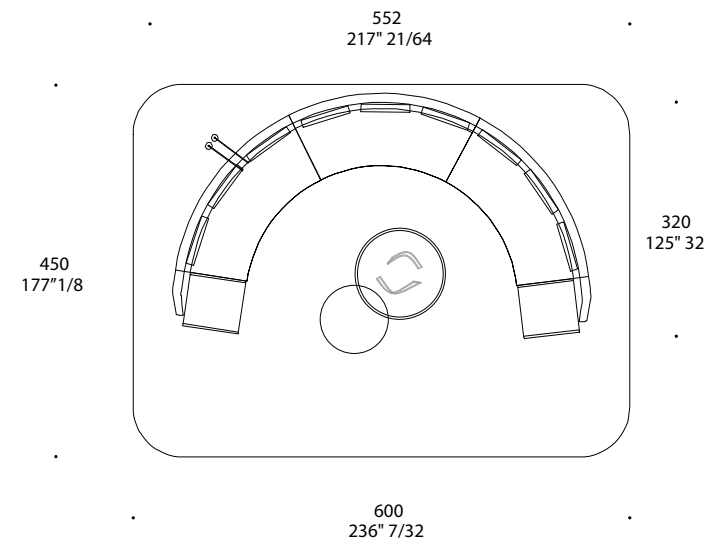


COMPOSIZIONI COMPOSITIONS

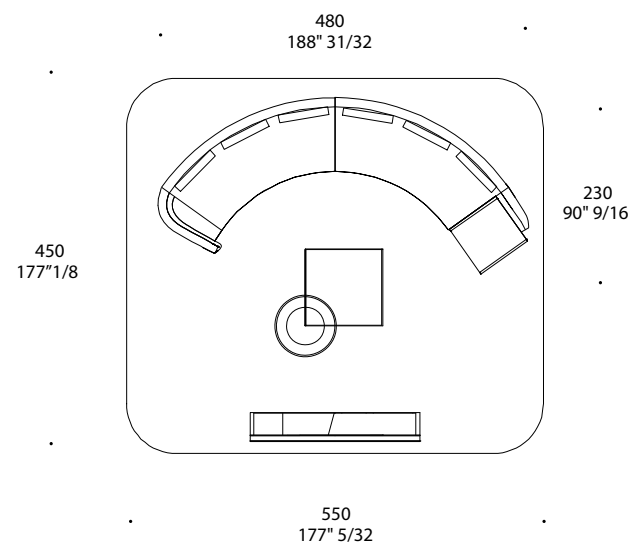
Composition 9



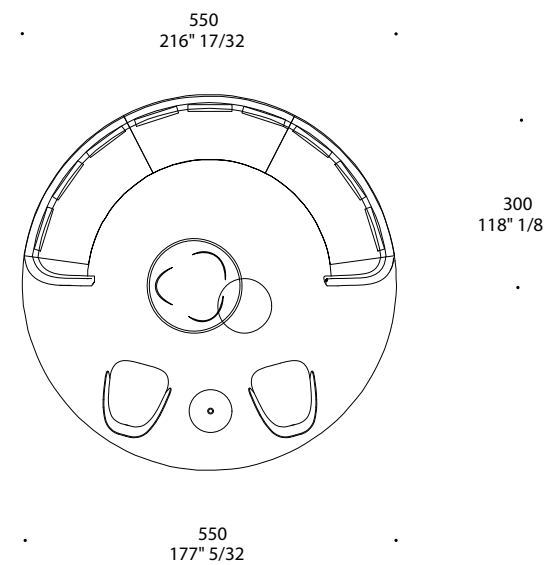
Composition 10



Composition 11

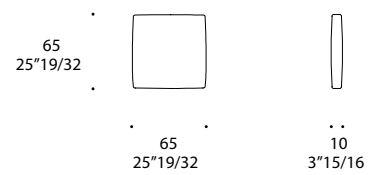


Composition 12

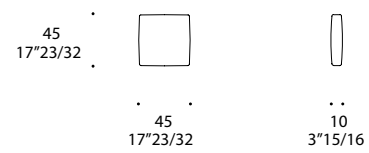


## CUSCINI PILLOWS

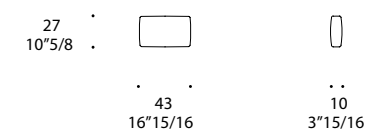
Functional pillow 65x65



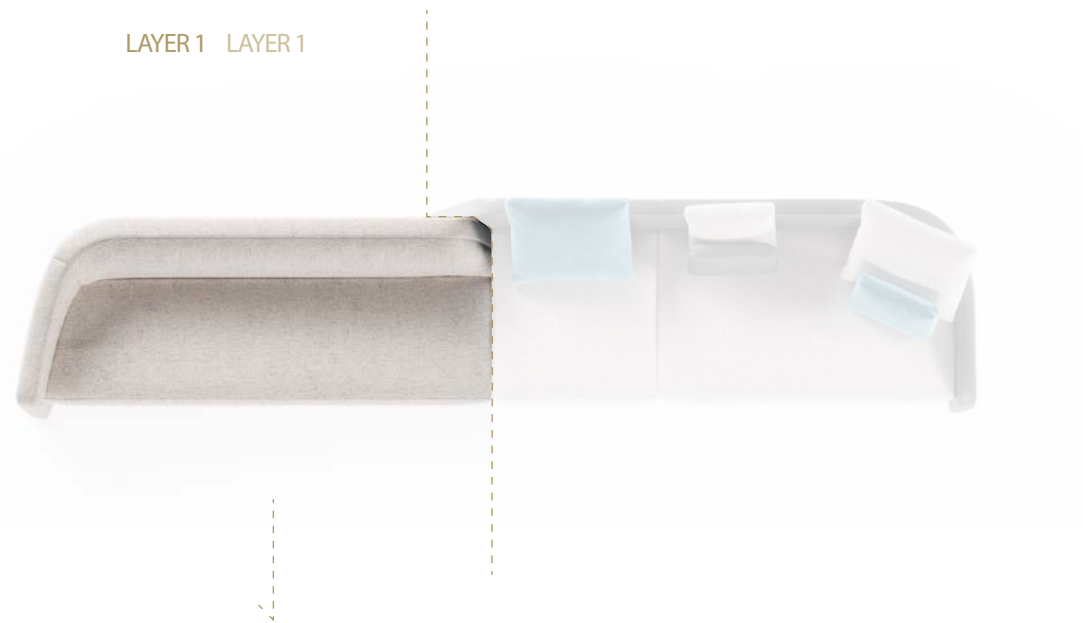
Functional& decorative pillow 45x45



Functional& decorative pillow 27x43

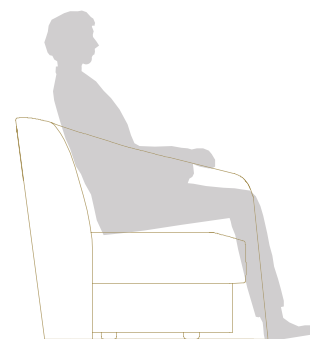


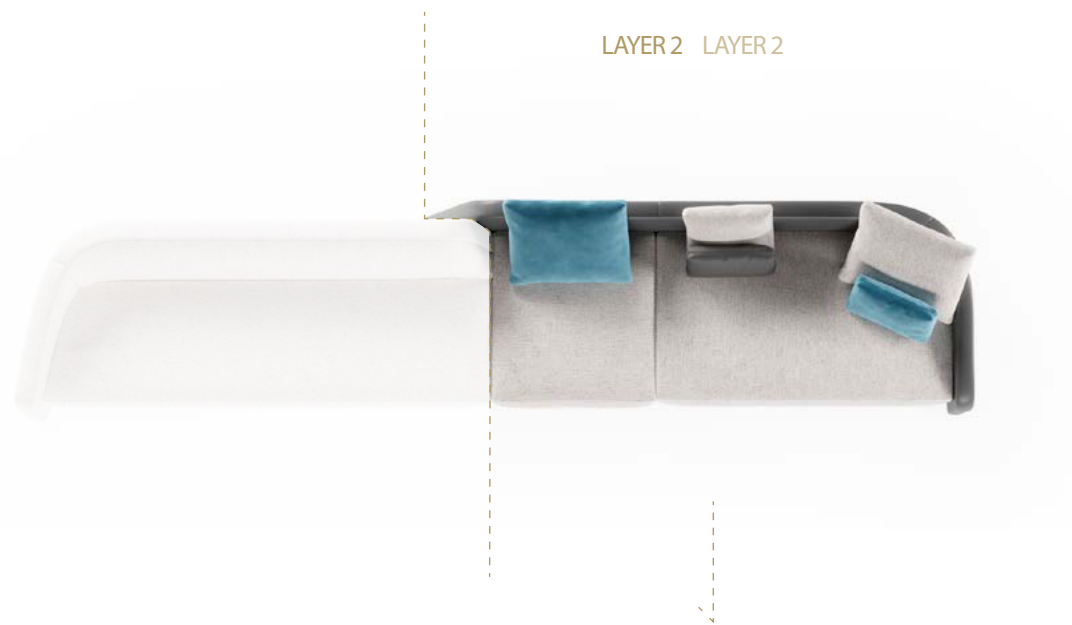
## LAYER 1 LAYER 1



Layer 1 non necessita di cuscini funzionali,  
i cuscini sono solo decorativi  
Layer 1 doesn't need functional cushions,  
the pillows are just for decoration

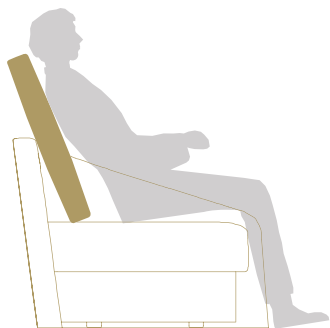
Position for conversation  
Cuscini decorativi a discrezione del cliente  
Decorative pillows at discretion of the client



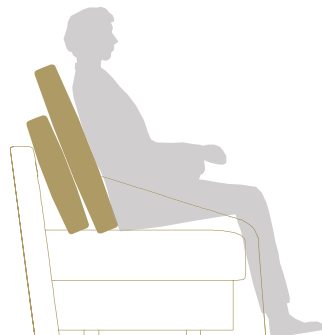


Layer 2 necessita di cuscini funzionali disposti in diversi schemi compositivi in base al comfort richiesto (A-B-C-D)  
 Layer 2 needs functional cushions organized with several compositional schemes based on required comfort (A-B-C-D)

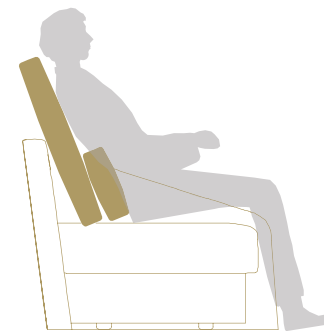
Position A - for total relax  
 Cuscino funzionale: 65x65 cm  
 Functional cushion: 65x65 cm



Position B - for conversation  
 Cuscini funzionali: 45x45 + 65x65 cm  
 Functional cushions: 45x45 + 65x65 cm



Position C - for relax  
 Cuscini funzionali: 65x65 + 27x43 cm  
 Functional cushions: 65x65 + 27x43 cm



Position D - for comfort conversation  
 Cuscini funzionali: 65x65 + 45x45 cm  
 Functional cushions: 65x65 + 45x45 cm

