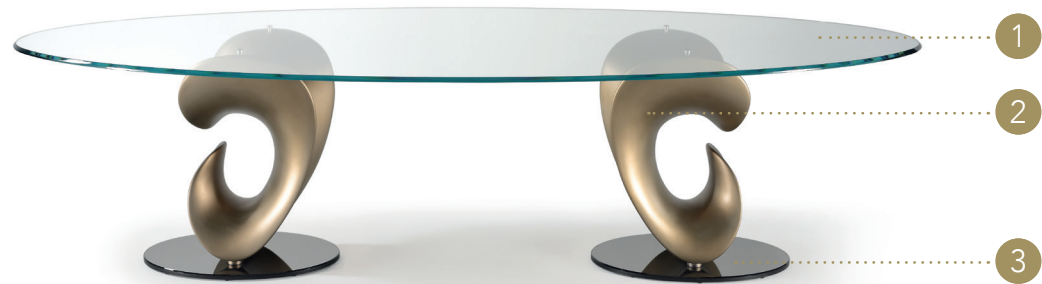


PARENTESIS 72

Design · Tulkzinsky



TOP | 1



sp./thick 15 mm.
bisello/bevel 45 °
filo lucido/polished edges

Vetro
Glass



Trasparente
Transparent

Extrachiaro
Extra clear

BASE | 2

Materiale composito
Composite material



finitura/finish



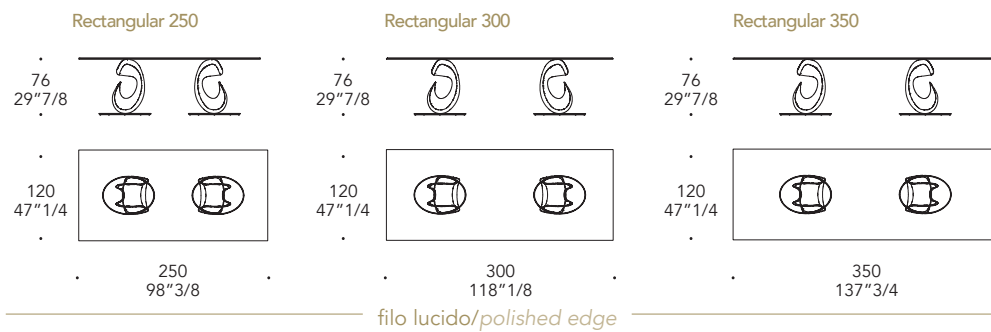
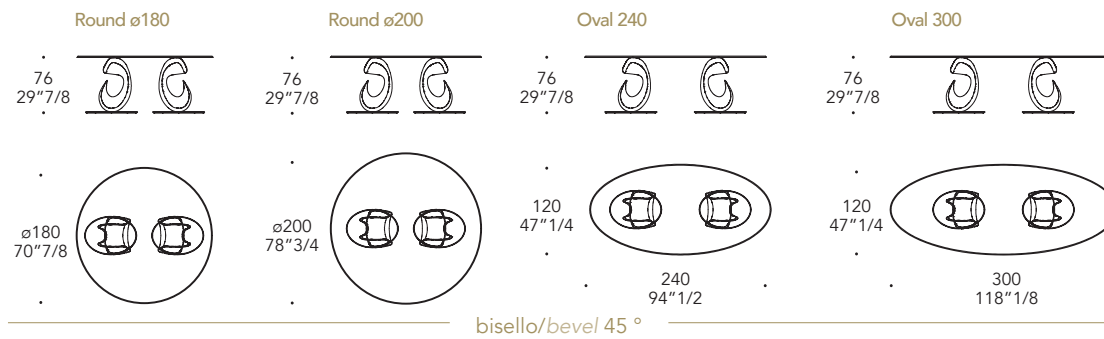
105M Ottone dark satinato
105M Satin dark Brass

104M Ottone satinato
104M Satin Brass

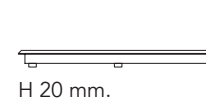


101M Titanium satinato
101M Satin titanium

VETRO GLASS



ZOCCOLO PLINTH | 3



H 20 mm.

Vetro
Glass



Specchio fumè
Smoked mirror